

# ACGB

aluminium reservoirs

*Quality  
inside*



# Go further...

Because your needs are unique, our tanks are customised.

In addition to standard designs, ACGB provide ingenuity and technical excellence for your projects, meeting and exceeding your requirements to serve you and your innovations: Commercial vehicles and the transport of people and goods on land and sea.

## Design & Engineering

### Bespoke reservoirs, innovative and intelligent.

To provide to your specification, we listen and comprehend the exact requirements to realise a customised solution to fulfil technical and economic needs. Our database of over 9000 configurations is the basis for **our project team to invent, design and adapt your next reservoir.**

ACGB expertise provides solutions for all type of reservoirs. Simple, complex, hydraulic, fuel or mixed and any combination. In terms of specifications, regulations and standards, you are assured that ACGB expertise will deliver the product for your needs. It is no coincidence our design rules are recognised by the market leaders.

Perfectly integrated into the space you create, **your ACGB reservoir delivers in terms of optimisation of capacity,** longevity and weight saving even in the most extreme operating conditions.

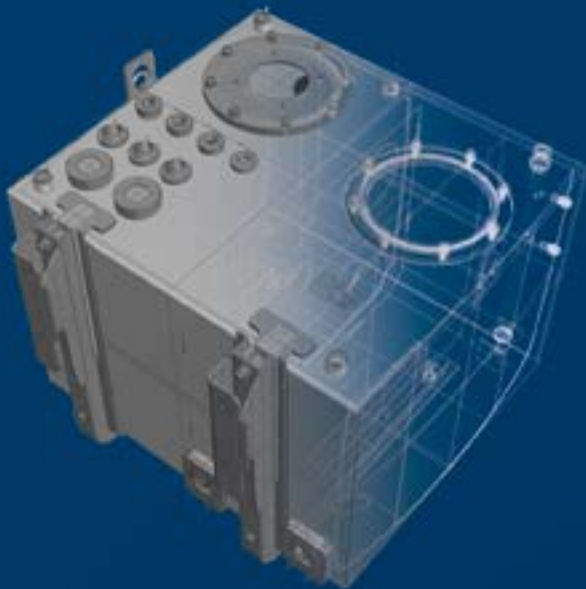
#### Our Study Methods:

- 3D CAD
- Simulations
- Finite element analysis
- Testing and technical validation
- Prototyping, pre-production, initial samples
- Validation and certification through official organisations.

### Industry Sectors

- ▶ Trucks and Vans
- ▶ Industrial and Automotive Body
- ▶ Cranes, Construction and Earth Moving Equipment
- ▶ Refrigerated Vehicles and Cooling Applications
- ▶ Coach and bus
- ▶ Marine
- ▶ Aerospace
- ▶ Defence
- ▶ Energy

...



**Innovation,  
performance,  
responsiveness  
& rigour**

*For over 40 years, ACGB has been involved in the success of projects for our customer base. With ACGB, you receive **an SME's flexibility and attention to detail coupled with the methods and compliance standards specific to each major industrial sector.***

## Production



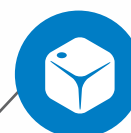
### Made in France in our facility.

The means and resources are in place to organise and produce **small to medium series products to the same requirements as serial production.** Our procedures ensure full traceability and repeatability of every tank, delivered just in time

- E.D.I.
- Certifications ISO 9001/ 14001 / TS 16949

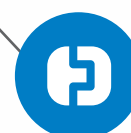
*Think tank*

Internal Components innovated from our experience (Technical partitions, fuel traps, complex and serpentine tubes, anti-siphon and anti-spill devices)

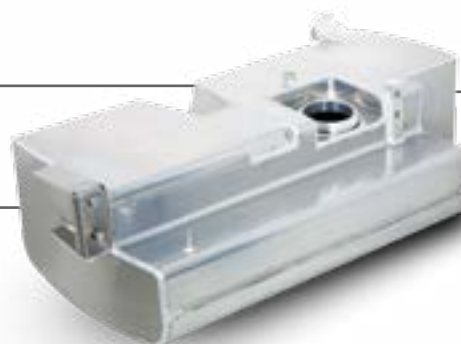


Material  
Aluminium  
Stainless steel

All types of fluids: fuel, lubricants, water, chemicals or organic



System Integration  
Peripheral equipment,  
mounting and fixing,  
accessories...



Shapes, sizes and technical specifications on request



**International  
reputation**  
relayed locally



## Head office

### **ACGB France**

La Grande Bruyère  
BP 3  
14860 BAVENT  
Tél. : +33 (0)2 31 35 21 00  
Fax : +33 (0)2 31 78 83 90  
Email : info@acgb.com



## Subsidiaries

### **ACGB Ltd - UK**

Manor House Farm  
Woodford  
KETTERING NN14 4ES  
Tél. : +44 (0)1832 735 265  
Fax : +44 (0) 1832 731 763  
Email : info@acgb.co.uk



## Partners

### **Canada**

Réservoirs DESPRES TANK  
912, Rang 5 - Val-Alain  
Québec - Canada G0S 3H0  
Tél. : +1 (418) 744-3340  
Fax : +1 (418) 744-3460  
Email : info@despres.qc.ca



Discover  
our achievements  
and references  
[www.acgb.com](http://www.acgb.com)



### **ACGB GmbH - Deutschland**

Teichberg 32  
D - 34286 SPANGENBERG  
Tél. : +49 (0)5663 93 91 22  
Fax : +49 (0)5663 93 91 23  
Email : info@acgb.de

### **Sweden**

HYDRAULTANKAR iUddevalla AB  
Po Box 697  
S - 45124 UDDEVALLA  
Tél. : +46 (0)522 708 01  
Fax : +46 (0)522 708 02  
Email : hydraultankar@telia.com

### **ACGB Benelux BV**

Schouwersweg 80  
4451 HT HEINKENSZAND  
Tél. : +31 (113)567 880  
Fax : +31 (113)561 778  
Email : benelux@acgb.com

### **Switzerland**

KBS Part AG  
Rothenring 22  
CH - 6015 REUSSBUHL  
Tél. : +41 (0)41 269 39 39  
Fax : +41 (0)41 269 39 00  
Email : info@kbs-parts.ch